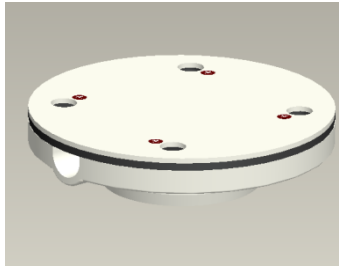


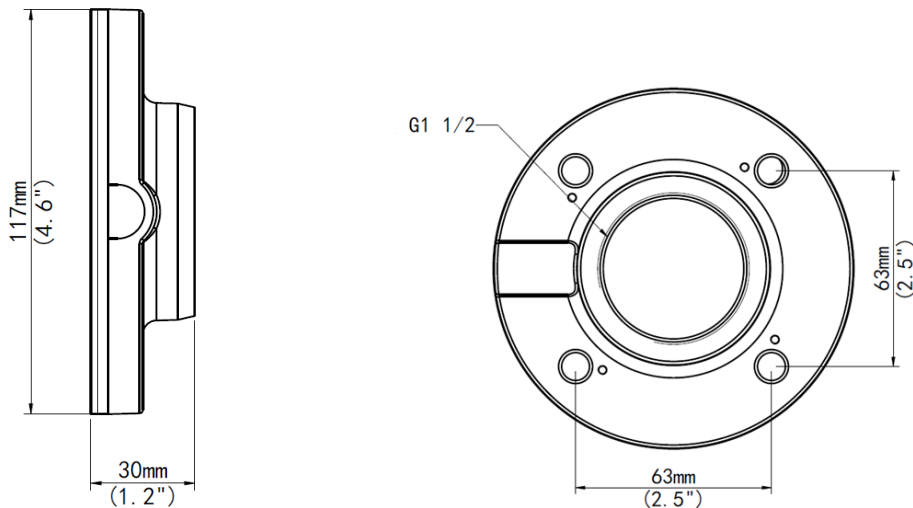
TR-UF45-G-IN Fixed Dome Plate Mount



Specifications

Bracket	TR-UF45-G-IN
Application	outdoor pendant installation for PTZ Dome Series
Dimensions	Φ117mmx30mm(Φ4.6" x1.2")
Weight	0.31kg(0.68lb)
Material	Aluminum alloy

Dimensions



Zhejiang Uniview Technologies Co.,Ltd.

South Tower, Building 10, Wanlun Science Park, 88 Jiangling Road, Hangzhou, P.R.China 310051

Email: overseasbusiness@uniview.com; globalsupport@uniview.com

<http://www.uniview.com>

©2015 Zhejiang Uniview Technologies Co.,Ltd. All rights reserved.

*Product specifications and availability are subject to change without notice.